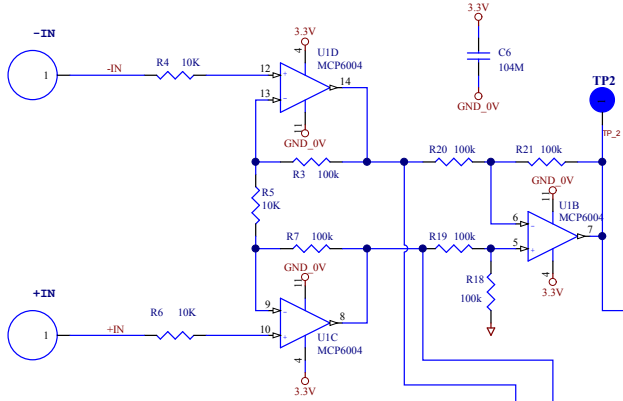


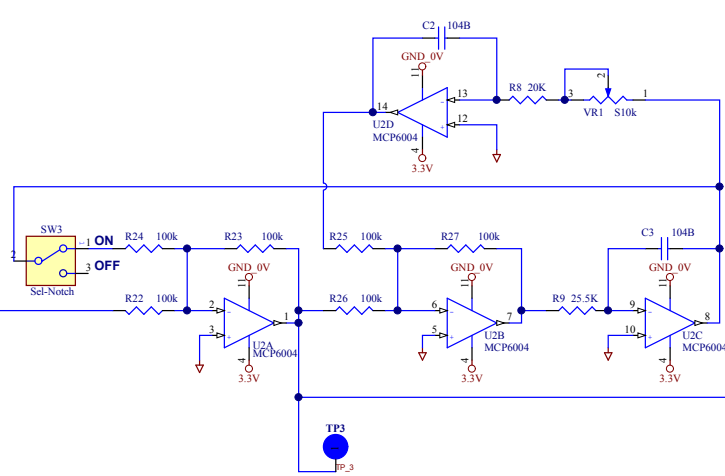
Instrumentation Amplifier

X21



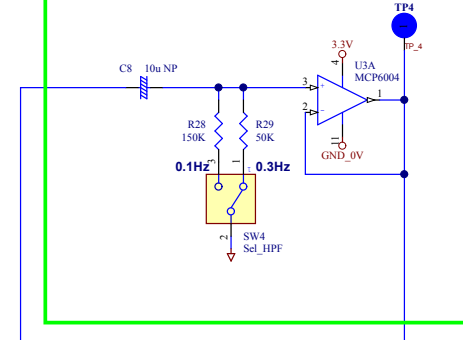
Notch 60Hz

[On/off]



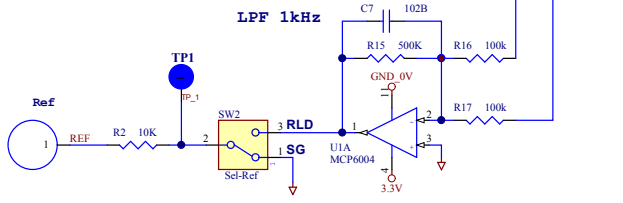
HPF

[0.1/0.3]Hz



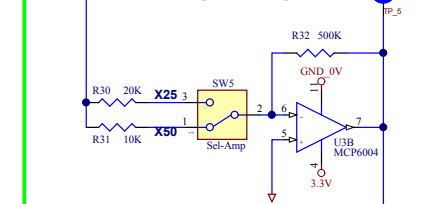
Right Leg Driver

LPF 1kHz



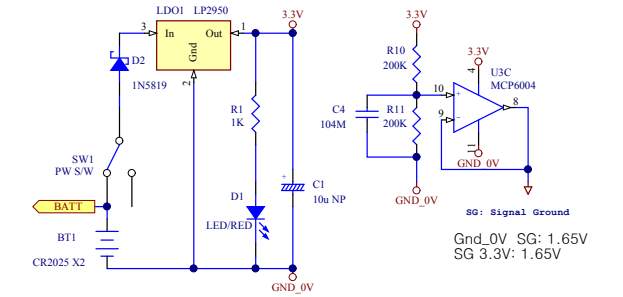
Amp

[X25/X50]



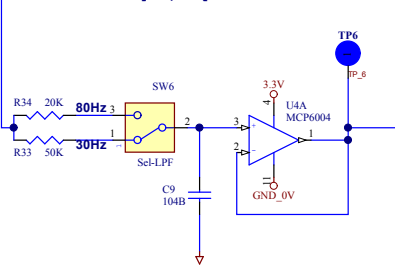
Power Regulation/Dual Power

3.3V Regulator



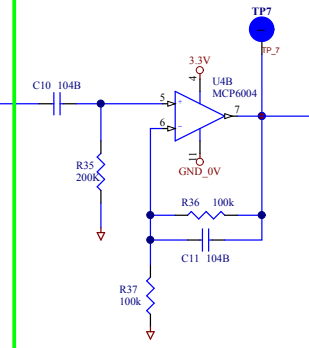
LPF

[30/80]Hz

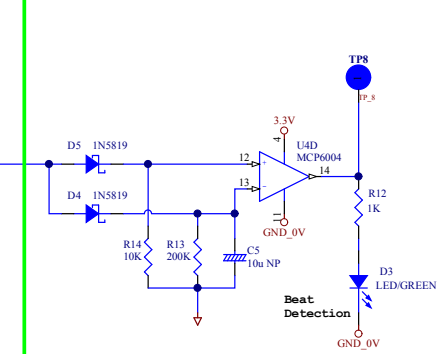


Semi Differential

HPF 7.5Hz
LPF 20Hz
AMP: X2



Peak Detection



Title ECG-KIT V3.6		
Size	Number	Revision
A3		
Date:	2012-06-28	Sheet of
File:	D:\[...]\ECG V3.6	Drawn BehDoc