



TITLE

SPECIFICATIONS

PAGE 1/4

- Matching 16 pins IC socket
- Bifurcated contacts
- Gold overlay contact
- 2 form C configuration



1. TYPE: CY RELAY (P/C Board type)

2. COIL

1) Standard

COIL VOLTAGE (VDC)	PICK-UP VOLTAGE (VDC)	DROP-OUT VOLTAGE (VDC)	MAX-ALLOWABLE VOLTAGE (VDC)	COIL RESISTANCE (Ω)	COIL POWER (mW)
3	2.25	0.3	6	45 x (1±10%)	200
5	3.75	0.5	10	125 x (1±10%)	
6	4.50	0.6	12	180 x (1±10%)	
9	6.80	0.9	18	405 x (1±10%)	
12	9.00	1.2	24	720 x (1±10%)	
15	11.3	1.5	30	1125 x (1±10%)	
24	18.0	2.4	48	2880 x (1±10%)	360
48	36.0	4.8	56	4000 x (1±10%)	

At 23°C

2) High-Sensitive

COIL VOLTAGE (VDC)	PICK-UP VOLTAGE (VDC)	DROP-OUT VOLTAGE (VDC)	MAX-ALLOWABLE VOLTAGE (VDC)	COIL RESISTANCE (Ω)	COIL POWER (mW)
3	2.4	0.3	7	60 x (1±10%)	150
5	4.0	0.5	11.5	167 x (1±10%)	
6	4.8	0.6	13.8	240 x (1±10%)	
9	7.2	0.9	20.8	540 x (1±10%)	
12	9.6	1.2	27.7	960 x (1±10%)	
15	12	1.5	34.6	1500 x (1±10%)	
24	19.2	2.4	55.2	3840 x (1±10%)	

At 23°C



TITLE

SPECIFICATIONS

PAGE 2/4

3. CONTACTS

- 3-1) Contact arrangement : 2 Form C
- 3-2) Contact Material : AgNi + Au plated
- 3-3) Contact resistance : 50mΩ at 0.1A 6VDC
- 3-4) Contact ratings (Resistive load) : 1A 125VAC, 2A 30VDC
- 3-5) Max. switching voltage : 120VDC/240VAC
- 3-6) Max. switching current : 2A
- 3-7) Max. switching power : 125VA/60W
- 3-8) Minimum applicable load : 100mV 10μA

4. CHARACTERISTICS

- 4-1) Operate time (at nomi. volt.) : Max. 6msec
- 4-2) Release time (at nomi. volt.) : Max. 4msec
- 4-3) Insulation resistance : 1000MΩ (at 500VDC)
- 4-4) Dielectric strength
 - ⊙ Between open contacts :
 - 1) Standard type : AC 1,000 Volt / one minute
 - 2) High Sensitive type : AC 750 Volt / one minute
 - ⊙ Between coil and contacts : AC 1,500Volt / one minute
- 4-5) Vibration resistance : 10 to 55Hz 1.5mm DA
- 4-6) Shock resistance
 - ⊙ Functional : 200m/s² (20g)
 - ⊙ Destructive : 1000m/s² (100g)
- 4-7) Ambient temperature : -40 to + 85℃
- 4-8) Humidity : 40 to 85% RH
- 4-9) Life expectancy
 - ⊙ Mechanical : 1x10⁸ operations
 - ⊙ Electrical : 1x10⁵ operations (at 2A 30VDC)
3x10⁵ operations (at 1A 30VDC)
- 4-10) Weight : Approx. 5g
- 4-11) Outline dimension (L x W x H) : 20.2 x 10.0 x 11.5mm
- 4-12) Safety standard : cUL



TITLE

SPECIFICATIONS

PAGE 3/4

5. ORDERING INFORMATION

EX.) CY - 5V H

Coil Voltage	Nil : Standard type(200mW)
3, 5, 6, 9, 12, 15, 24, 48VDC	H : High-sensitive type(150mW)

* 48VDC coil voltage is only for standard type and coil power is 360mW.

**** Disclaimer ****

This data sheet is for the customer's reference. All the specifications are subject to change without notice. We could not evaluate all the performance and all parameters for every possible application. Thus the user should be in right position to choose the suitable product for own application. If there is any query, please contact to Texcell Netcom Co., Ltd. for the technical service. However, it is the user's responsibility to determine which product should be used only.

TO:	DATE:
TEXCELL NETCOM CO., LTD.	DRAWN BY: CHECKED BY:
DEVELOPMENT DEPT.	APPROVED BY:

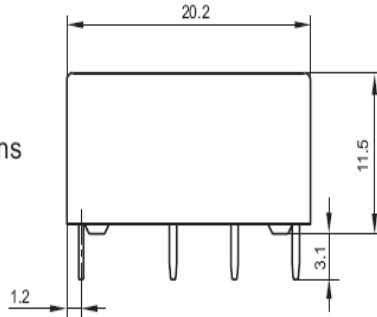


TITLE

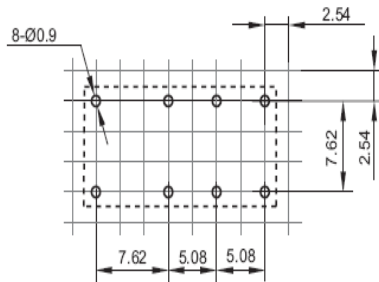
DIMENSIONS

PAGE 4/4

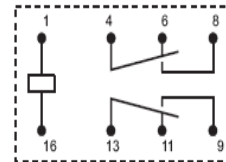
Outline Dimensions



PCB Layout
(Bottom view)

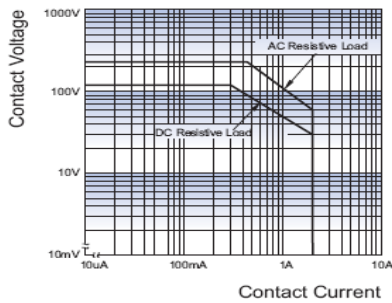


Wiring Diagram
(Bottom view)

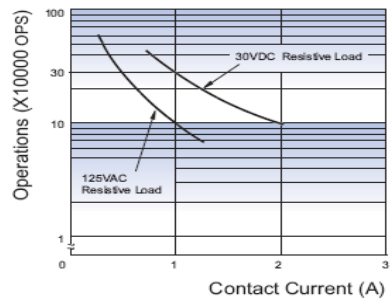


- Remark: 1) In case of no tolerance shown in outline dimension: outline dimension $\leq 1\text{mm}$, tolerance should be $\pm 0.2\text{mm}$; outline dimension $> 1\text{mm}$ and $\leq 5\text{mm}$, tolerance should be $\pm 0.3\text{mm}$; outline dimension $> 5\text{mm}$, tolerance should be $\pm 0.4\text{mm}$.
 2) The tolerance without indicating for PCB layout is always $\pm 0.1\text{mm}$.
 3) The width of the gridding is 2.54mm.

MAXIMUM SWITCHING POWER



ENDURANCE CURVE



TO:

TEXCELL NETCOM CO., LTD.
DEVELOPMENT DEPT.

DATE:

DRAWN BY:

CHECKED BY:

APPROVED BY: