



株式  
會社

光 星 電 子

KWANG SUNG ELECTRONICS



# SPECIFICATION FOR APPROVAL

MESSRS : SUH KSANG  
MODEL NO. :  
ITEM :SK-1014A1  
DATE : 2008. 01. 24

APPROVED BY

HEAD OFFICE : KWANG SUNG ELECTRONICS CO.,LTD.  
108, 4-KA, WONHYO-RO, YONGSAN-KU, SEOUL, KOREA  
TEL : 82-2-713-6001 FAX : 82-2-712-8910

R&D CENTER : KWANG SUNG ELECTRONICS H/K CO.,LTD. KOREA BRANCH  
201, WORLD VENTURE TOWN 60-24, GASAN-DONG, GEUMCHUN-GU, SEOUL, KOREA  
TEL : 82-2-2108-3590, 3595 FAX : 82-2-2108-3535

H.K OFFICE : KWANG SUNG ELECTRONICS H.K CO.,LTD.  
UNIT6-9, 13/F, WAH WAI IND. CENTRE, 38-40.  
AU PUI WAN ST., FOTAN, N.T., HONG KONG  
TEL : 852-2602-6609 FAX : 852-2602-6490

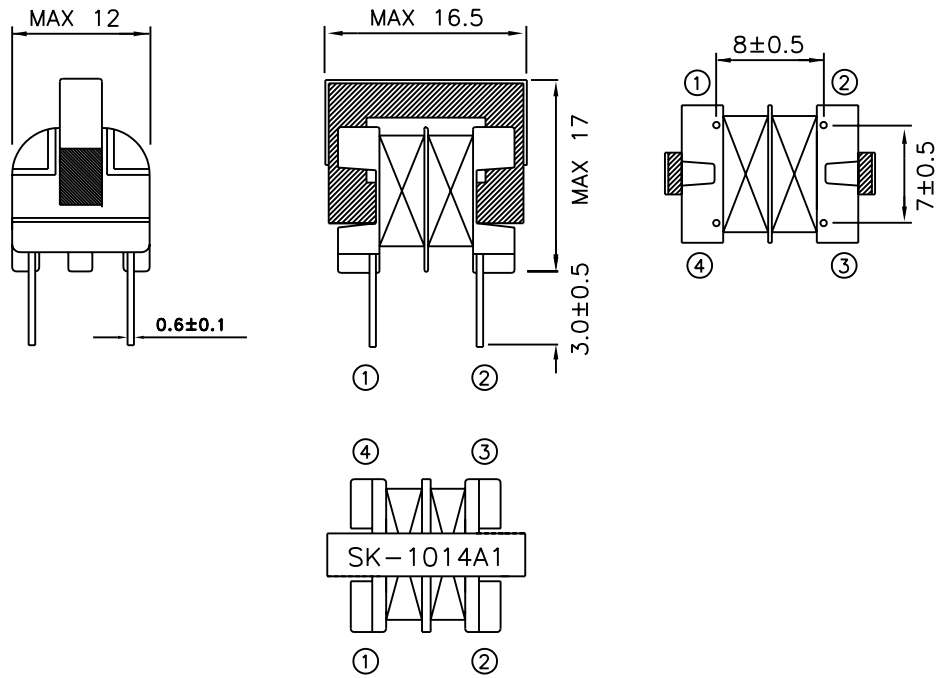
CHINA FACTORY : SHEN ZHEN KWANG SUNG ELECTRONICS CO.,LTD.  
BULDING #8,5TH INDUSTRIAL ZONE, SHI YAN TOWN, BAO AN, SHEN-ZHEN, CHINA  
TEL : 86-755-2763-3001 FAX : 86-755-2763-3530



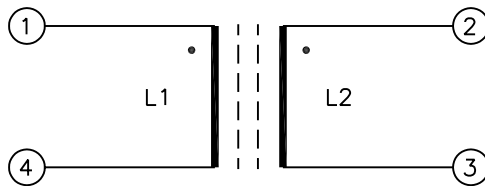
A Name You Can Trust Kwang Sung Electronics.,Co.Ltd.

MESSRS : SUH KWANG	LINE FILTER <b>SPECIFICATION</b>	DATE : 2008. 01. 28.
KSE NAME : SK-1014A1		PRODUCT CODE : 9F5

1. ITEM : FILTER LINE (SK-1014A1)
2. APPEARANCE AND STRUCTURE
  - 2-1. STRUCTURE AND DIMENSION (UNIT:mm)



2-2. WINDING DIAGRAM (BOTTOM VIEW)



2-3. WINDING SPEC.

TERMINAL	WIRE	TURNS
1 - 4	2UEW 0.18φ	100Ts Ref
2 - 3	2UEW 0.18φ	100Ts Ref

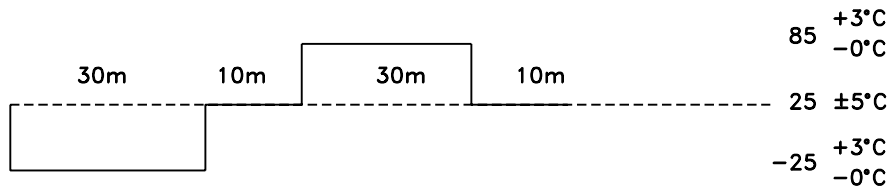
DATE	DESCRIPTION	DRAWN	DESIGNED	CHECKED	APPROVED
		 技術 08. 01. 28 金賢澈	 技術 08. 01. 28 金會浣	 技術 08. 01. 28 朴鍾奎	 技術 08. 01. 28 張東後



MESSRS : SUH KWANG	LINE FILTER	DATE : 2008. 01. 28.
KSE NAME : SK-1014A1	SPECIFICATION	PRODUCT CODE : 9F5

#### 4. ENVIRONMENT CHARACTERISTICS

##### 4-1. TEMPERATURE CYCLING TEST



THE LINE FILTER SHALL BE CONDITIONED FOR 5 CYCLES OF ABOVE CYCLING CONDITION AND THAN REMOVED IN NORMAL ROOM AMBIENT 60 MINUTES AFTER THE PROCEDURE, IT SHALL SATISFY THE ELECTRICAL REQUIREMENTS SPECIFIED IN SECTION 3-6 AND, THERE SHALL NOT BE ANY ABNORMALITIES IN STRUCTURE.

##### 4-2. RESISTANCE SOLDERING HEAT

WHEN LEAD WIRE DIPPED TO  $3\pm 1\text{mm}$  FROM BOTTOM OF BOBBIN IN SOLDER OF  $250^{\circ}\text{C}\pm 10^{\circ}\text{C}$  AND KEPT  $5\pm 1$  SECOND.  
THE LINE FILTER SHALL BE NO ABNORMALITY

##### 4-3. HUMIDITY RESISTANCE TEST

THE LINE FILTER SHALL BE CONDITIONED FOR 100 MINUTES AT 90 TO 95% RELATIVE HUMIDITY AND  $40^{\circ}\text{C}\pm 2^{\circ}\text{C}$ , THAN REMOVED IN NORMAL ROOM AMBIENT AT  $25^{\circ}\text{C}\pm 5^{\circ}\text{C}$ , 60 MINUTES AFTER THE ABOVE PROCEDURE, IT SHALL SATISFY THE ELECTRICAL REQUIREMENT SPECIFIED IN SECTION 3.

##### 4-4. VIBRATION TEST

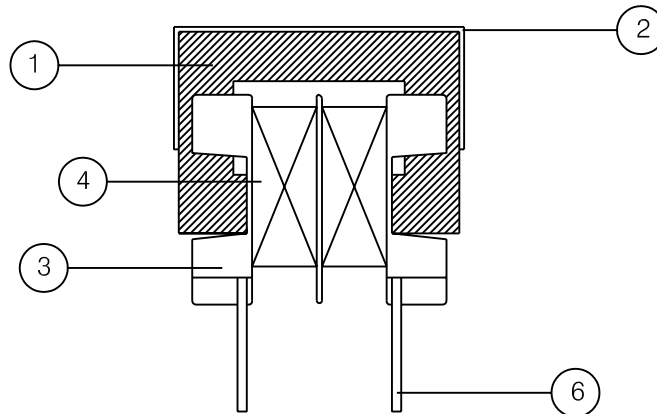
LINE FILTER SHALL BE SOLDERED WITH THE PRINTED BOARD OF 1.6mm THICKNESS AND THEN IT SHALL BE APPLIED WITH THE VIBRATION THAT THE AMPLITUDE IS 1.5mm AND THE FREQUENCY IS 10 TO 55Hz IN THE RIGHT-ANGLED 3 DIRECTIONS EACH FOR 2 HOURS. AFTER ABOVE PROCEDURE, THERE SHALL NOT BE ANY ABNORMALITIES IN ALL REQUIREMENTS.

##### 4-5. TENSILE STRENGTH OF LEAD WIRE

FOR 5 SECONDS APPLYING A LEAD OF 1.0 Kg IN AXIS DIRECTION OF EACH LEAD WIRE. THERE SHALL NOT BE ANY ABNORMALITY.

MESSRS : SUH KWANG	LINE FILTER <b>SPECIFICATION</b>	DATE : 2008. 01. 28.
KSE NAME : SK-1014A1		PRODUCT CODE : 9F5

### 5. METERIAL LIST



NO.	COMPONENT	NAME OF MATERIAL	MANUFACTURER OF COMPONENT	UL FILE NO
1	CORE	TL7 R7K SM-70S    UU1014 OR EQUIV.	TIAN TONG ELECTRONIC CO.,LTD. DONG YANG MAGNETIC CO.,LTD. SAM WHA ELECTRONIC CO.,LTD. OR EQUIV.	
2	CLAMP	UU1014	POONGSAN METAL CO., LTD.	
3	BOBBIN	PHENOL 94V-0, PF2736 V-0, PM8375 94V-0, T-355J	HEXION SPECIALTY CHEMICALS GMBH SUMITOMO BAKELITE CO.,LTD. CHANG CHUN PLASTICS CO.,LTD.	E61040(M) E41429(M) E 59481(S)
4	WIRE	0.18 $\phi$ (2UEW)	DONG YANG ELECTRONICS IND CO.,LTD. HOILUEN ELECTRICAL CO.,LTD. OR EQUIV.	E102761(N) E164409(S)
5	VARNISH	ES-925-43DA3 OR EQUIV.	CHEMTECH CO., LTD OR EQUIV.	
6	TERMINAL	SDCP (SOLDER DIPPED COPPER COVER STEEL WIRE) 0.6 $\phi$	SAMATRON CO.,LTD.	

MESSRS : SUH KWANG

# UL FILE

DATE : 2008. 01. 24.

KSE NAME : SK-1014A1

PRODUCT CODE :  
9T5

## \* WIRE

**DONG YANG ELECTRONICS IND CO LTD** **E102761 (N)**  
**660-1 BANWOL-RI TAIAN-EUB HWASUNG-GUN,**  
**KYONGGI-DO 445-970 KOREA**

Mtl Dsg	Coat Typ		ANSI Type	TI
	BC	OC		
AI-EIW	Polyester-imide	Polyamide-imide	MW35	200
EIW	Polyester-imide		MW30	180
NY-EIW	Polyester-amide-imide	Polyamide	MW76	180
NY-PEW	Polyester	Polyamide	MW24	155'
NY-PEW(F)	Polyester	Polyamide	MW24	155
NY-UW	Polyurethane	Polyamide	MW28	130
UW	Polyurethane	—	MW75	130

Marking: Company name or "E102761" and material designation or marked designation on package or reel and Recognized Component Mark.

OBMW2 January 29, 1999  
 Component - Magnet Wire

**HUI LUEN ELECTRICAL MFR CO LTD** **E164409**  
**8TH FL, UNIT 1 HUI LUEN IND CENTRE 55 HUI YUEN RD, BLK**  
**B, KWUN TONG KOWLOON HONG KONG** **(A card)**

Mtl Dsg	Coating Type		ANSI Type	TI
	BC	TC		
2UEW	Polyurethane	—	MW75-C	130
PEW	Polyester	—	MW-5C	155
UEW	Polyurethane	—	MW28-C	130
EIW	Polyester-imide	—	MW30-C	180

Reports: August 8, 1995; February 2, 1998; August 8, 1996; January 22, 1999.

17434991

H3128

Underwriters Laboratories Inc.®

(Cont. on B card)

0: 0021751  
195

MESSRS : SUH KWANG

# UL FILE

DATE : 2008. 01. 24.

KSE NAME : SK-1014A1

PRODUCT CODE :  
9T5

## \* BOBBIN

HEXION SPECIALTY CHEMICALS GMBH  
POSTFACH 7154  
58609 ISERLOHN-LETMATHE, GERMANY

E61040

Material Dsg	Color	Min. Thk mm	UL94 Flame Class	Elec	RTI		H W	H A	H V	D 4	C T
					With imp	Mech W/o str					
PM 2736(a)(b)	BK	0.46	V-0	-	-	150	150	150	150	0	5 3
	ALL	0.81	V-1	0	2	150	150	150			
	NC,GN,BK	0.81	V-0	0	2	150	150	150			
	ALL	1.5	V-0	0	2	150	150	150			
		3.0	V-0	0	2	150	150	150			

(a) - Optional Suffix "H".

(b) - Grade designation may be followed by a four digit number representing color, P or S, indicating type of molding, a single digit representing slight color variation.

Marking: Company name or tradename "BAKELITE", "RUTAFORM" and material designation on container, wrapper or finished part.

### QMF22

Plastics - Component

SUMITOMO BAKELITE CO LTD

E51429

Material Dsg	color	MIN Thk mm	Flame Class	H W	H A	Elec	RTI		H V	D 4	C T
							Imp	Mech str			
PM-8910	BK	0.75	V.O	-	-	-	-	-	-	-	1
Phenolic(GP), designated "SUMIKON" furnished as pellets or granular											
PM-2837	BK	0.49	V.O	-	-	150	150	150	-	-	-
PM-8376	BK	0.49	V.O	-	-	150	150	150	-	-	-
Phenolic(PF)designated "Sumikon" furnished as pellets,granular											
PM-0001	BK	0.71	HB	-	-	150	150	150	-	-	-
PM-1200	BK	0.71	HB	-	-	150	150	150	-	-	-
PM-1500	BK	0.81	HB	-	-	150	150	150	-	-	-
PM-200	BK	0.75	HB	-	-	150	150	150	-	-	-
PM-2001	BK	0.75	HB	-	-	150	150	150	-	-	-
		2.8	V.O	-	-	150	150	150	-	-	-
PM-3050	BK	0.50	V.O	-	-	150	150	150	-	-	-
PM-200	RD	1.5	HB	-	-	150	150	150	-	-	-
PM-200	BN,BK	0.47	V.O	-	-	150	150	150	-	-	-

### QMF22

March 4, 1994

Component-Plastics

CHANG CHUN PLASTICS CO LTD

E59481 (S)

Material Dsg	Color	Thk	UL94	Elec	RTI	Mech	E59481 (S)				
							1	0	2	6	
T-355J	BK	0.62	94V-0	150	150	150	1	0	2	6	3
		0.80	94V-0	150	150	150	1	0	2	6	3
		1.00	94V-0	150	150	150	1	0	2	6	3
T359J	BK,BN	0.79	94HB	150	150	150	1	0	4	7	4
		1.57	94HB	150	150	150	1	0	4	7	4
		3.17	94HB	150	150	150	0	0	4	7	4
T373J	BK,BN	1.00	94V-1	150	150	150	2	0	3	6	4
	NC	1.00	94V-0	150	150	150	2	0	3	6	4
	(a)	2.00	94V-0	150	150	150	1	0	3	6	4
T375J	BK,BN	0.79	94V-0	150	150	150	1	0	4	5	4
		1.58	94V-0	150	150	150	0	0	4	5	4
		3.17	94V-0	150	150	150	0	0	4	5	4
T377J	BK	0.79	94HB	150	150	150	2	0	4	7	4
		1.58	94HB	150	150	150	1	0	4	7	4
		3.17	94HB	150	150	150	0	0	4	7	4

Report: January 6, 1976.

Replaces E59481C dated February 7, 1989.  
262854001 N7047 Underwriters Laboratories Inc.®

(Cont. on C1 card)  
D11/0018965