

TBI Series(6)



BOLT/Inverter 3-Phase

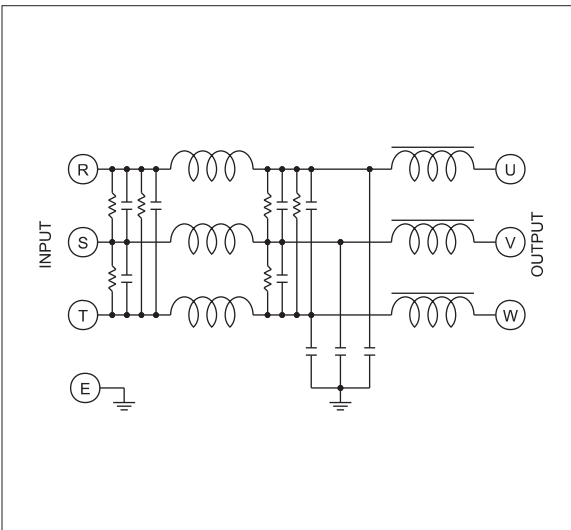
- **380-450Amp 250V/450V**
- **Excellent Filtering for Normal Mode and Common Mode Noise**
- **Low Leakage**
- **Bolt Terminals**
- **Suitable for Inverters**
- **Ordering Information**

UFXXTBI-LI	250V for INPUT
UFXXTBI-LO	250V for OUTPUT
UFXXTBI-HI	450V for INPUT
UFXXTBI-HO	450V for OUTPUT

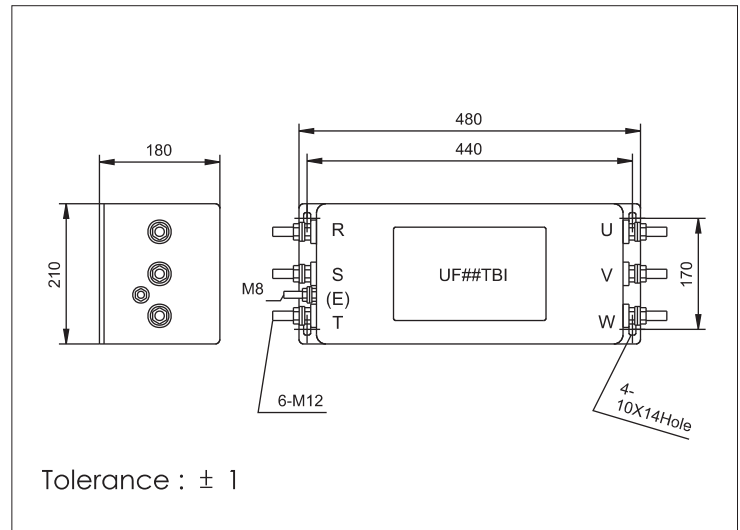
SPECIFICATIONS

Item	UF380TBI-XX	UF450TBI-XX	Unit
RATED CURRENT	380	450	A
RATED VOLTAGE	250 Max/450 Max		V
TEST VOLTAGE	1,500Vrms between line and earth for 1 minute		/
ISOLATION RESISTANCE	500Vdc 300Mohm between line and earth		/
LEAKAGE CURRENT	2 Max		mA
TEMPERATURE RISE	40 Max		°C
OPERATING TEMPERATURE	-25 ~ +85		°C
APPROVALS			/

BLOCK DIAGRAM



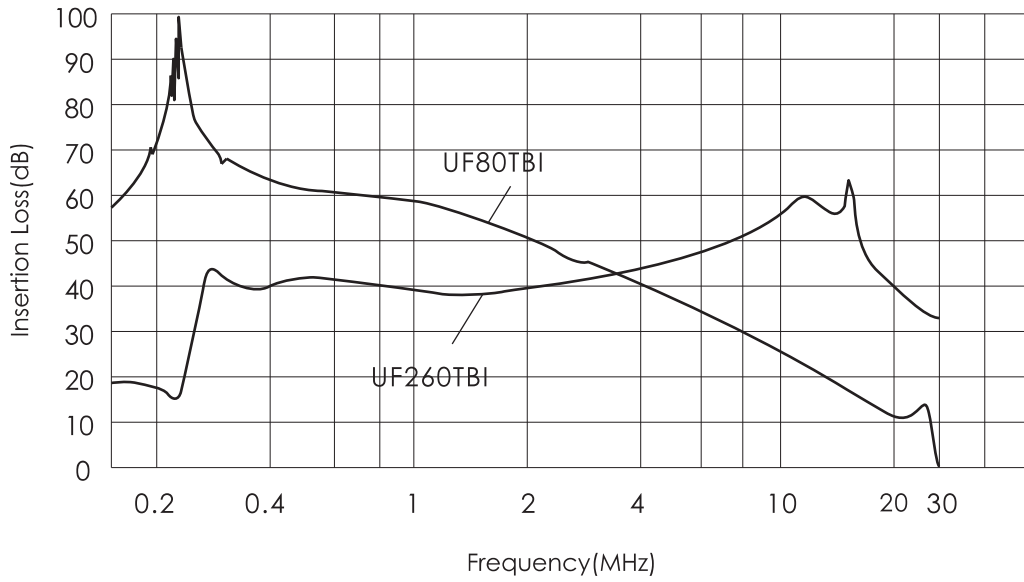
DIMENSIONS(UNITS : MM)



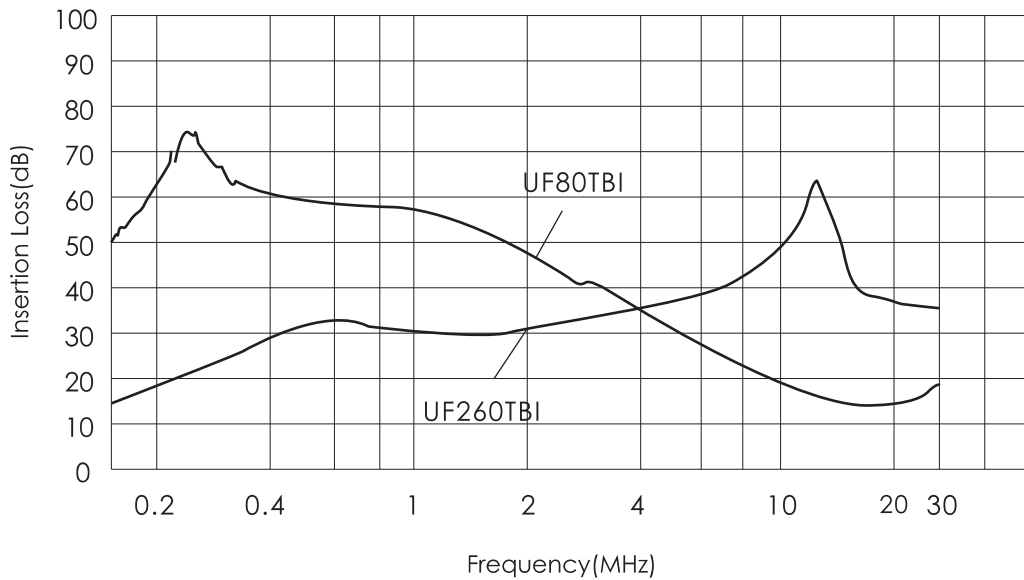
NOISE FILTER

8) TBI Series

A. NORMAL MODE



B. COMMON MODE



NOISE FILTER