

SDD0-2 Series



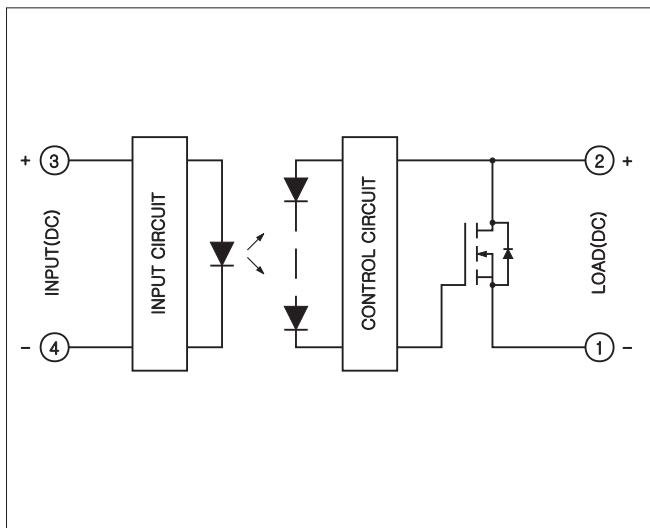
Input DC/Output DC Mold

- 10 - 40Amp DC24V Output
- AC 2500V Isolation
- Normally Open
- LED Indicator
- Panel Mount with Heatsink
- Approved by EN 60947-4-1 Δ and $\text{C}\ \text{E}$

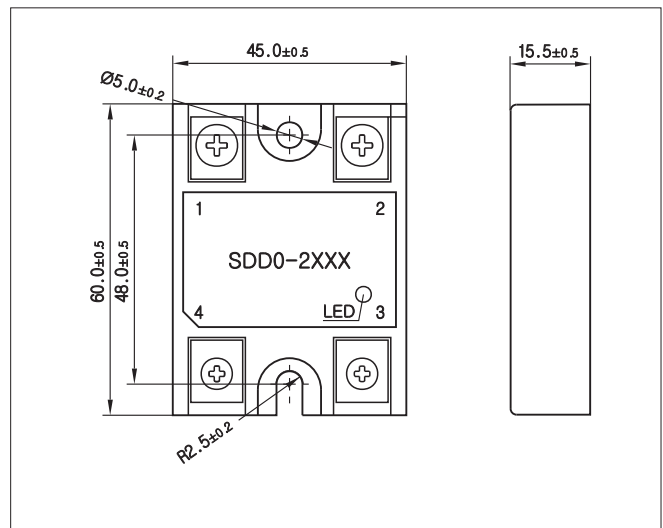
SPECIFICATIONS

Item		SDD0-210N	SDD0-220N	SDD0-230N	SDD0-240N	Unit
OUTPUT	DC ON-STATE LOAD CURRENT	10	20	30	40	Adc
	LOAD VOLTAGE RANGE	5 ~ 24				Vdc
	BLOCKING VOLTAGE	60				Vdc
	ON-STATE VOLTAGE DROP	2 Max				Vdc
	OFF-STATE LEAKAGE CURRENT	1 Max				mAdc
INPUT	INPUT VOLTAGE RANGE	4 ~ 32				Vdc
	PICK-UP VOLTAGE	4 Max				Vdc
	DROP-OUT VOLTAGE	1 Min				Vdc
GENERAL	ISOLATION VOLTAGE	2,500Vrms between I/O terminals and case for 1 minute				/
	ISOLATION RESISTANCE	500Vdc 100Mohm between I/O terminals and case				/
	OPERATING TEMPERATURE	-30 ~ +80				$^{\circ}\text{C}$
	STORAGE TEMPERATURE	-30 ~ +100				$^{\circ}\text{C}$
	TURN-ON TIME	1 Max				msec
	TURN-OFF TIME	1 Max				msec
	APPROVALS	TUV.CE	TUV.CE	TUV.CE	TUV.CE	/

BLOCK DIAGRAM



DIMENSIONS (UNIT : MM)



S.S.R

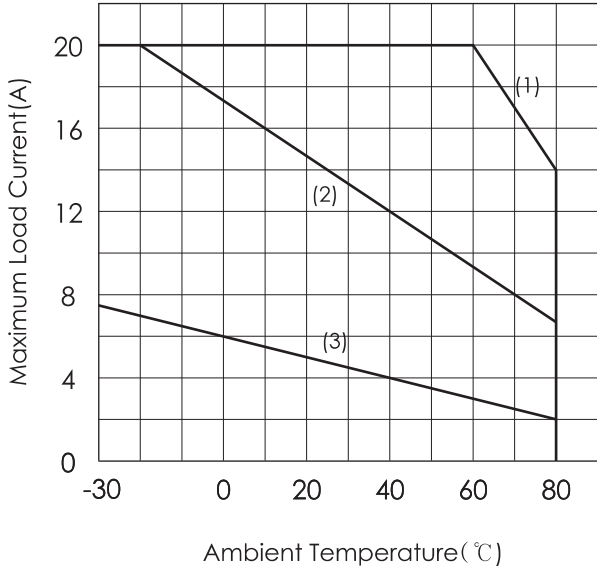
C. 20Amp S.S.R

S.S.R Model

PDD0-220NHS/620NHS

Heatsink

(1)Infinite(2)UHS118-1-60(3)Non



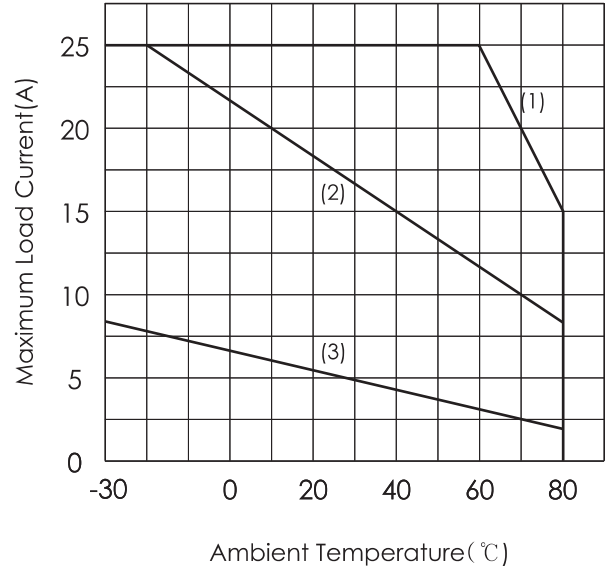
D. 25Amp S.S.R

S.S.R Model

PDA1-225ZHL/225ZHS

Heatsink

(1)Infinite(2)UHS118-1-60(3)Non



3)DC-Output Mold type

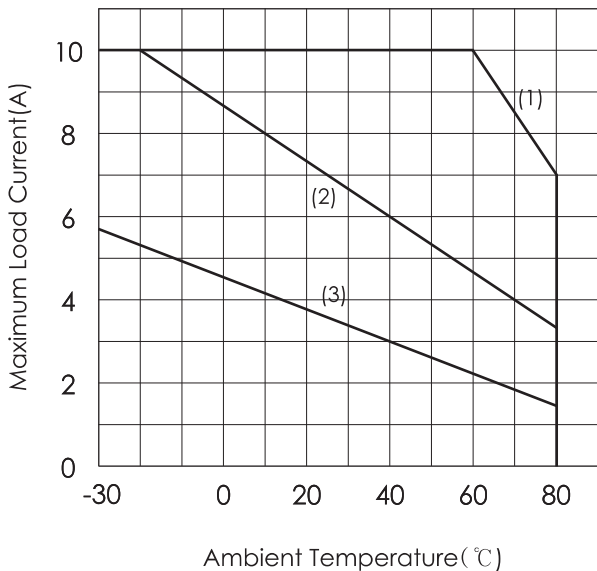
A. 10Amp S.S.R

S.S.R Model

SDD0-110N/210N/610N

Heatsink

(1)Infinite(2)UHS118-1-45(3)Non



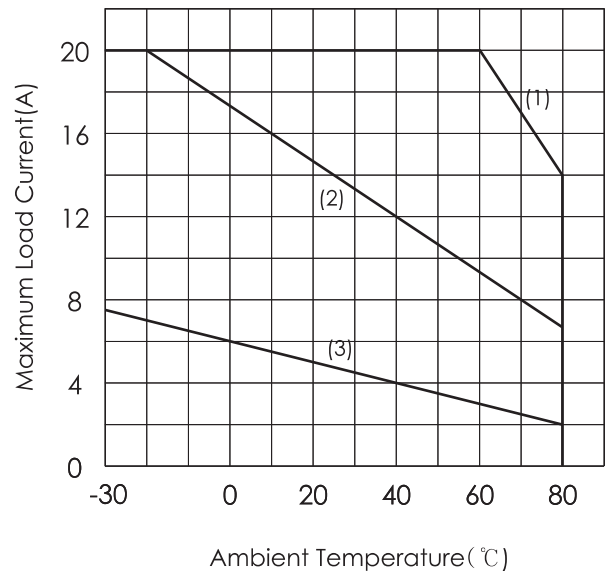
B. 20Amp S.S.R

S.S.R Model

SDD0-120N/220N/620N

Heatsink

(1)Infinite(2)UHS118-1-60(3)Non



S.S.R

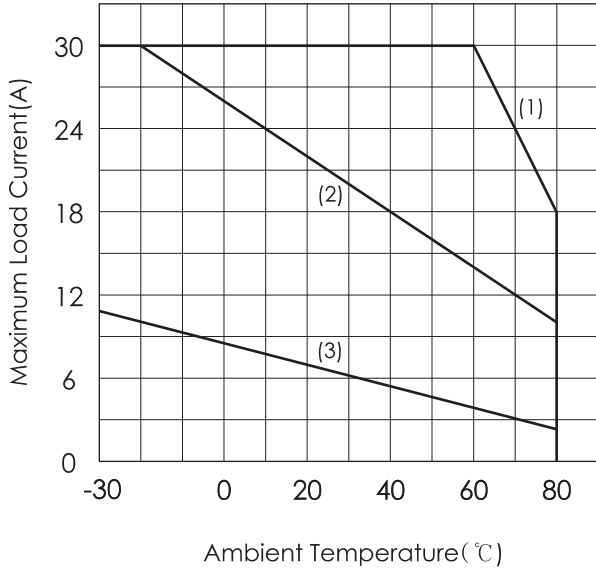
C. 30Amp S.S.R

S.S.R Model

SDD0-130N/230N/630N

Heatsink

(1)Infinite(2)UHS118-1-80(3)Non



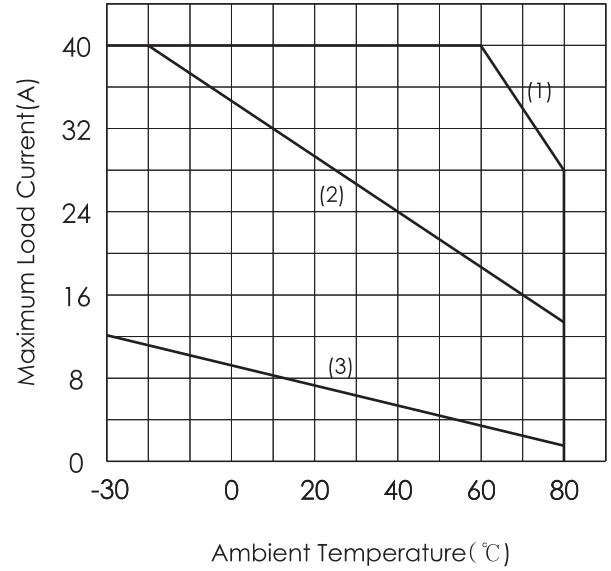
D. 40Amp S.S.R

S.S.R Model

SDD0-140N/240N/640N

Heatsink

(1)Infinite(2)UHS118-1-80(3)Non



4)1-Phase Mold type

A. 15Amp S.S.R

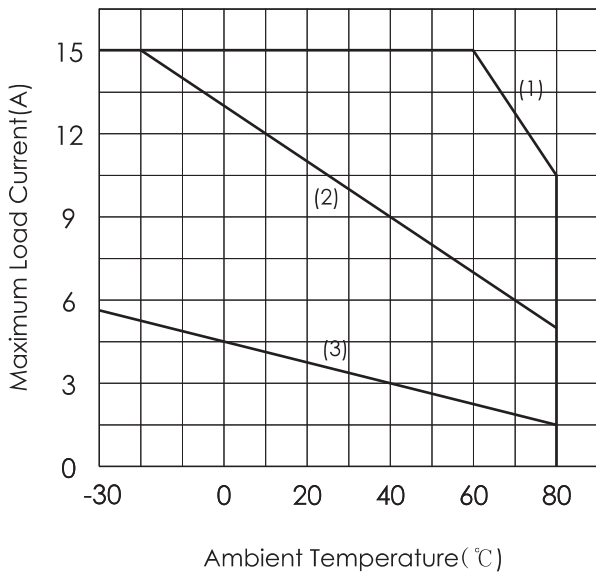
S.S.R Model

SDA1-215Z/215R/415Z/415R

SAA1-215Z/415Z

Heatsink

(1)Infinite(2)UHS118-1-45(3)Non



B. 25Amp S.S.R

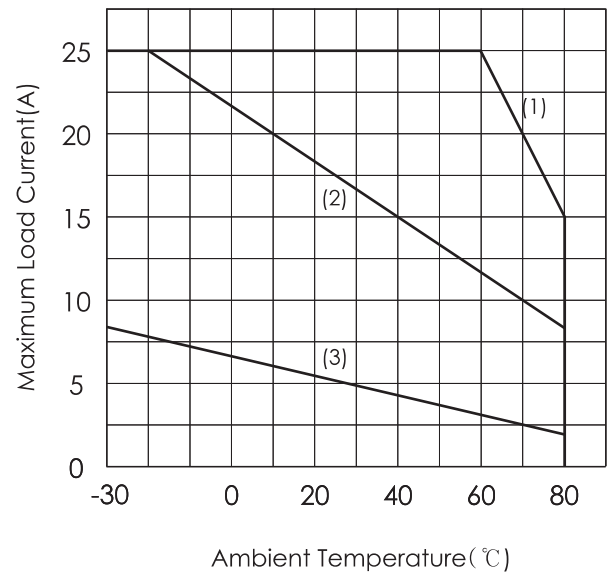
S.S.R Model

SDA1-225Z/225R/425Z/425R

SAA1-225Z/425Z

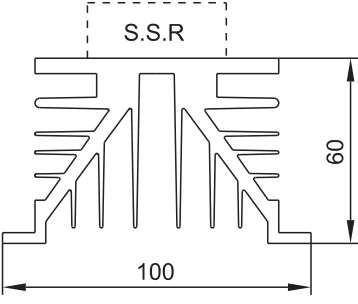
Heatsink

(1)Infinite(2)UHS118-1-60(3)Non



10. STANDARD HEATSINK

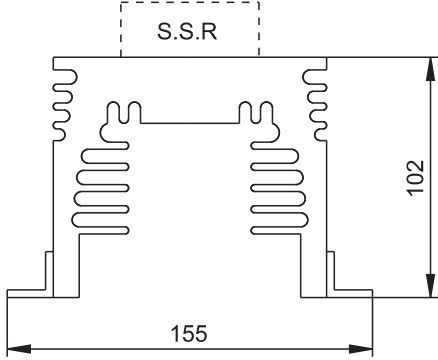
1) UHS118 Series



MODEL	Length(mm)
UHS118-1-45	45
UHS118-1-60	60
UHS118-1-80	80
UHS118-3-120	120
UHS118-3-150	150

unit : mm

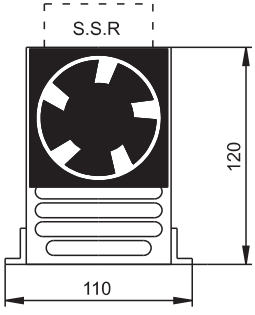
2) UHS11 Series



MODEL	Length(mm)
UHS11-1-80	80
UHS11-1-105	105
UHS11-3-80	80
UHS11-3-105	105
UHS11-3-150	150

unit : mm

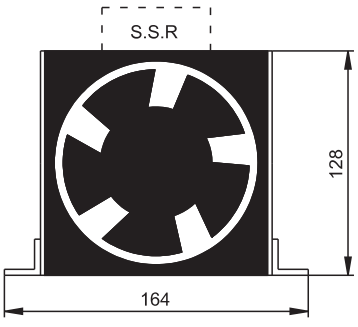
3) UHS120V80-3-110



Length=110

unit : mm

4) UHS124V128-3-105



Length=105

unit : mm

11. 방열판 선정 가이드

S.S.R 모델별로 차이는 있으나 주위온도 상온에서 부하 전류가 S.S.R 출력 전류 정격의 60% 이하 조건하에 선정된 방열판으로 주위온도가 높거나 부하전류가 큰 경우에는 S.S.R 또는 방열판을 변경하여 적용해야 한다.

S.S.R 정격구분	S.S.R모델명	HEATSINK
2A	PDA1-202Z/202R	NON
3A	PDA1-203Z/203R, PDD0-103N	NON
5A	PDA1-205Z/205R, PDD0-105N	NON
8A	PDA1-208Z/208R	NON
	PDA1-208ZHL/208ZHS PDD0-108NHS/208NHS/608NHS	UHS118-1-45
10A	SDD0-110N/210N/610N	UHS118-1-45
15A	PDA1-215ZHL/215ZHS PDD0-115NHS/215NHS/615NHS SDA1-215Z/215R/415Z/415R SAA1-215Z/415Z	UHS118-1-45
	SDA2-215Z/415Z SAA2-215Z/415Z	UHS118-3-120
	SDA3-215Z/415Z SAA3-215Z/415Z	UHS118-3-120
20A	PDD0-220NHS/620NHS SDD0-120N/220N/620N	UHS118-1-60
25A	PDA1-225ZHL/225ZHS SDA1-225Z/225R/425Z/425R SAA1-225Z/425Z	UHS118-1-60
	SDA2-225Z/425Z SAA2-225Z/425Z	UHS118-3-120
	SDA3-225Z/425Z SAA3-225Z/425Z	UHS118-3-150
30A	SDD0-130N/230N/630N	UHS118-1-80

S.S.R 정격구분	S.S.R모델명	HEATSINK
40A	SDD0-140N/240N/640N SDA1-240Z/240R/440Z/440R SAA1-240Z/440Z	UHS118-1-80
	SDA2-240Z/440Z SAA2-240Z/440Z	UHS118-3-150
	SDA3-240Z/440Z SAA3-240Z/440Z	UHS11-3-105 or UHS120V80-3-110 with FAN
	SDA1-250Z/250R/450Z/450R SAA1-250Z/450Z	UHS118-1-80
	SDA2-250Z/450Z SAA2-250Z/450Z	UHS11-3-80
	SDA3-250Z/450Z SAA3-250Z/450Z	UHS11-3-150 or UHS124V128-3-105
60A	SDA1-260R/460R SAA1-260R/460R	UHS11-1-80
	SDA2-260R/460R SAA2-260R/460R	UHS11-3-105
	SDA3-260R/460R SAA3-260R/460R	UHS124V128-3-105 with FAN
	SDA1-280R/480R SAA1-280R/480R	UHS11-1-105
	SDA2-280R/480R SAA2-280R/480R	UHS124V128-3-105
	SDA3-280R/480R SAA3-280R/480R	UHS124V128-3-105 with FAN



CERTIFICATE

of Conformity

Low Voltage Directive 73/23/EEC
as last amended by EEC Directive 93/68/EEC

Registration No.: AN 2137523 01

Report No.: E 2068830 Z 03

Holder: Union Elecom Co., Ltd.
34-2 Samjung Dong, Ojung Gu
Bucheon, Gyeonggi Do, 421-150
R.O.K.

Product: HALBLEITERRELAIS
(Solid State Relay)

Identification: Type Designation: Suvw-xyyt
Serial Number: N/A (prototype)

Remark: This license is based on license R 2037941.

This certificate of conformity is based on an evaluation of a sample of the above mentioned product. Technical Report and documentation are at the Licence Holder's disposal. This is to certify that the tested sample is in conformity with all provisions of Annex I of Council Directive 73/23/EEC, in its latest amended version, referred to as the Low Voltage Directive. This certificate does not imply assessment of the series-production of the product and does not permit the use of a TÜV Rheinland mark of conformity. The holder of the certificate is authorized to use this certificate in connection with the EC declaration of conformity according to Annex III of the Directive.

Certification Body

Cologne, 24.09.2001



U. Roessiger
Dipl.-Ing. U. Roessiger

TÜV Rheinland Product Safety GmbH - Am Grauen Stein - D-51105 Köln

Ⓒ The CE marking may be used if all relevant and effective EC Directives are complied with. Ⓒ

Zertifikat Certificate



Zertifikat Nr. Certificate No.
R 2037941

Blatt Page
03

Ihr Zeichen Client Reference
T.W. Kim

Unser Zeichen Our Reference
00143-KIS/yy- E2068830Z03

Ausstellungsdatum Date of Issue
24.09.2001 (day/mo/yr)

Genehmigungsinhaber License Holder
Union Elecom Co., Ltd.
34-2 Samjung Dong, Ojung Gu
Bucheon, Gyeonggi Do, 421-150
R.O.K.

Fertigungsstätte Manufacturing Plant
Union Elecom Co., Ltd.
34-2 Samjung Dong, Ojung Gu
Bucheon, Gyeonggi Do, 421-150
R.O.K.

Prüfzeichen Test Mark



Geprüft nach Tested acc. to

IEC 60158-2:1982
EN 60947-4-1:1992+A1+A2

Zertifiziertes Produkt (Geräteidentifikation)
Certified Product (Product Identification)
HALBLEITERRELAIS (Solid State Relay)

Lizenzentgelte - Einheit
License Fee - Unit

Change

Type designation: Suvw-xyyt 2

u stands for: Input source (D=DC, A=AC)
v stands for: Output source (D=DC, A=AC)
w stands for: Number of poles
(0=DC, 1=1 pole, 2=2 poles,
3=3 poles)
x stands for: Output voltage
(1=120V DC, 2=240V AC, 4=460V AC,
for SDD0-xyyt only; 2=24V DC,
6=60V DC)
yy stands for: Output current
(10=10A DC, 15=15A AC, 20=20A DC,
25=25A AC, 30=30A DC, 40=40A AC
or DC, 50=50A AC)

Continued on page 04

Dem Zertifikat liegt unsere Prüf- und Zertifizierungsordnung zugrunde.
Das Produkt entspricht den o.g. Anforderungen, die Herstellung wird überwacht.
This certificate is based on our Testing and Certification Regulation. The product
fulfills above mentioned requirements, the production is subject to surveillance.

Zertifizierungsstelle

Dipl.-Ing. U. Roessiger



TÜV Rheinland Product Safety GmbH, Am Grauen Stein, D-51105 Köln

Zertifikat Certificate



Zertifikat Nr. Certificate No.

R 2037941

Blatt Page

04

Ihr Zeichen Client Reference

T.W. Kim

Unser Zeichen Our Reference

00042-KIS/yy- E2068830Z03

Ausstellungsdatum Date of Issue

24.09.2001 (day/mo/yr)

Genehmigungsinhaber License Holder

Union Elecom Co., Ltd.

34-2 Samjung Dong, Ojung Gu

Bucheon, Gyeonggi Do, 421-150

R.O.K.

Fertigungsstätte Manufacturing Plant

Union Elecom Co., Ltd.

34-2 Samjung Dong, Ojung Gu

Bucheon, Gyeonggi Do, 421-150

R.O.K.

Prüfzeichen Test Mark



Geprüft nach Tested acc. to

IEC 60158-2:1982

EN 60947-4-1:1992+A1+A2

Zertifiziertes Produkt (Geräteidentifikation)

Certified Product (Product Identification)

HALBLEITERRELAIS (Solid State Relay)

Continuation

t stands for:

Trigger form

(Z=zero cross, R=random cross,
N=DC)

Lizenzentgelte - Einheit

License Fee - Unit

Dem Zertifikat liegt unsere Prüf- und Zertifizierungsordnung zugrunde.

Das Produkt entspricht den o.g. Anforderungen, die Herstellung wird überwacht.

This certificate is based on our Testing and Certification Regulation. The product

fulfills above mentioned requirements, the production is subject to surveillance.

TÜV Rheinland Product Safety GmbH, Am Grauen Stein, D-51105 Köln

Zertifizierungsstelle

U. Roessiger

Dipl.-Ing. U. Roessiger



Zertifikat

Certificate



Zertifikat Nr. *Certificate No.*
R 02037941

Blatt *Page*
0005

Ihr Zeichen *Client Reference*
J.J. S

Unser Zeichen *Our Reference*
ZKR3-KIS- 02068830 004

Ausstellungsdatum
27.03.2007

Date of Issue
(day/month/year)

Genehmigungsinhaber *License Holder*

Union Elecom Co., Ltd.
(Chunui Techno Park 1st 1207~1211)
200-1m Chunui-dong, Wonmi-gu,
Bucheon, Gyeonggi-do 420-857
Rep. of Korea

Fertigungsstätte *Manufacturing Plant*

Union Elecom Co., Ltd.
(Chunui Techno Park 1st 1207~1211)
200-1m Chunui-dong, Wonmi-gu,
Bucheon, Gyeonggi-do 420-857
Rep. of Korea

Prüfzeichen *Test Mark*

Geprüft nach *Tested acc. to*
EN 60947-4-3:2000



Zertifiziertes Produkt (*Geräteidentifikation*)
Certified Product (Product Identification)

Lizenzentgelte - Einheit
License Fee - Unit

Semi Conductor Relay Solid State Relay

Änderung
(Change)

Prüfgrundlage : IEC 60158-2:1982
(Test Requirement) EN 60947-4-1:1992+A1+A2

ändert sich in : siehe oben
(changed to) (see above)

Remark: DC ratings comply with DC-1 of EN 60947-4-1.

Dem Zertifikat liegt unsere Prüf- und Zertifizierungsordnung zugrunde.
Das Produkt entspricht den o.g. Anforderungen, die Herstellung wird überwacht.
This certificate is based on our Testing and Certification Regulation. The product
fulfills above mentioned requirements, the production is subject to surveillance.

Zertifizierungsstelle

TÜV Rheinland Product Safety GmbH, Am Grauen Stein, D-51105 Köln
Tel.: (+49/221)8 06 - 13 71 e-mail: cert-validity@de.tuv.com
Fax: (+49/221)8 06 - 39 35 http://www.tuv.com/safety

Dipl.-Ing. D. Löffler

