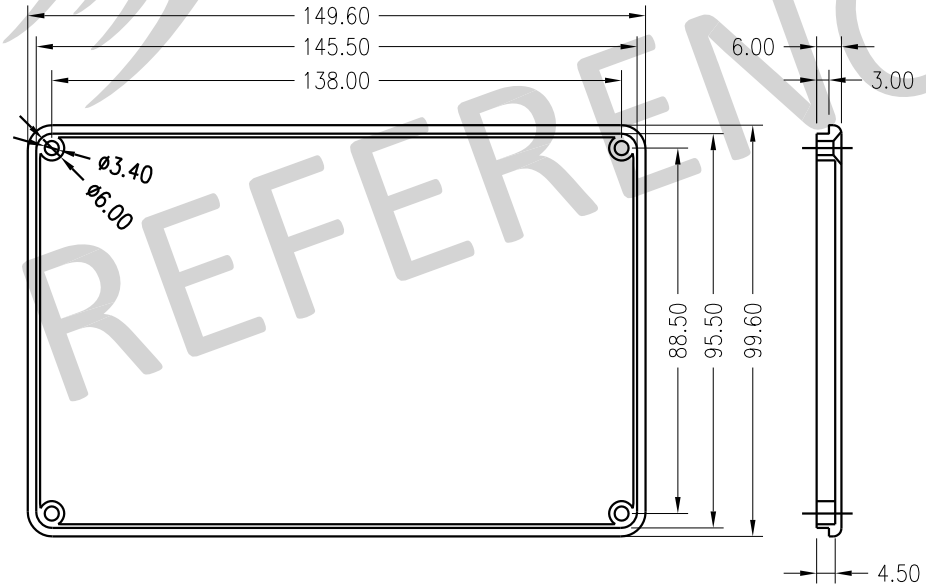
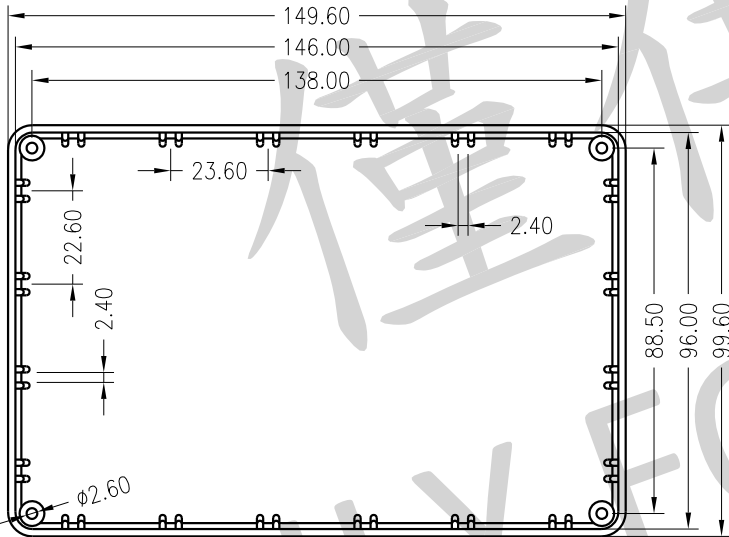
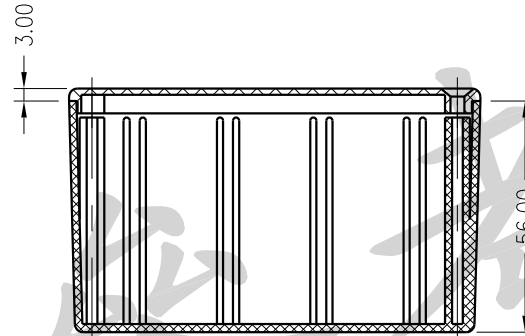
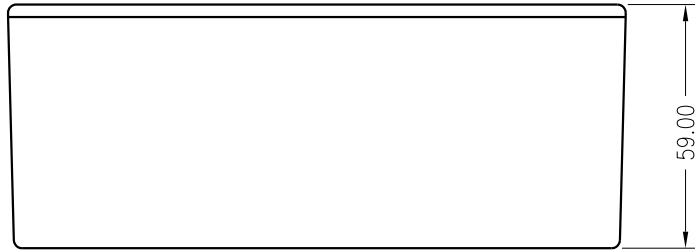


FOR RoHS



WITH SCREW M3*12L X 4PCS
PE BAG: 162*262*0.05mm

0021-002-025	GRAY
0021-002-023	BLACK
PART NUMBER	COLOR

E.I.CE ENTERPRISE CO.,LTD.

TITLE: CABINET		
PART NO: 0021-002-02X		
DWG NO: 95033101-C1502		
	UNITS	SCALE
mm	1:1	SHEET

TOLERANCE	REV.	DESCRIPTION	DATE
X. ±			
.X ±			
.XX ±	A	NEW RELEASE	Mar.31.06'
.XXX ±			

APPD:	MAT'L:
CHKD: Chun.Ter.Chlu	BODY: ABS
DRWN: Wen.Kai	CLIENT: ALL