

# 混合式步进电机规格书

## HYBRID STEPPING MOTOR SPECIFICATIONS

制造商: 上海鸣志电器有限公司  
 Manufacturer: SHANGHAI MOONS' ELECTRIC CO., LTD.

电机型号 MODEL No.: 24HS5602N

客户型号 CUSTOMER'S MODEL No.:

### 1. 适用范围

本规格书包含了对步进电机的综合要求。

This specification covers the general requirements for the stepping motor

### 2. 引用文件 APPLICABLE DOCUMENTS

IEC 60034-1: 旋转电机 第1部分: 定额和性能

IEC 60034-1: Rotating electrical machines

Part 1: Rating and performance

IEC TS60034-20-1: 旋转电机-第20-1部分: 控制电机-步进电机

IEC TS60034-20-1: Rotating electric machine

Part 20-1: Control motors-Stepping motors

### 3. 定额 RATING

3-1 步距角 Step Angle ----- 1.8°/整步 full step

3-2 相数 Number of Phase ----- 4

3-3 额定电压 Rated Voltage ----- 5.6V DC

3-4 额定电流(微步驱动时的峰值) Rated Current(peak value when microstep) ----- 2A

3-5 绝缘等级 Insulation Class ----- Class B

3-6 驱动电压 Source Voltage ----- 36V DC

表示供电电源施加在驱动回路上的电压。在恒压驱动方式下, 它和额定电压相同。

Indicates the voltage that the power supplier applies to the driver circuit.

It is same as the rated voltage when motor is driven on a constant voltage model.

### 4. 电气特性 ELECTRICAL CHARACTERISTICS

4-1 线圈电阻/相 Coil Resistance/phase -----  $2.8\Omega \pm 10\%$  (20°C)

4-2 线圈电感/相 Coil Inductance/phase -----  $6.4\text{mH} \pm 20\%$  (1kHz 1V rms)  $\triangle$

4-3 保持力矩 Holding torque ----- 1.9N.m (两相通电/额定电流 two phase on/rated current)  $\triangle$

4-4 定位力矩 Detent torque ----- 约 Approximately 100mN.m

4-5 步距角精度 Step angle accuracy -----  $\pm 5\%$

测试条件: 恒流驱动器/36V/两相通电/额定电流/速度: Ipps/小野测器: PV7300

Testing condition: Constant current driver/36V/Two phase on/Rated current/Speed: Ipps(Full step)

Ono sokki: PV7300

4-6 空载运行频率 Slew rate with no load ----- N/A

测试条件: 驱动电压直流36V/额定电流/半步驱动

Testing condition: Source Voltage 36V/Half step

动态性能测试电路

Testing Circuit for Dynamic Performance 4-6, 4-7, 4-8, 4-9.

4-7 空载启动频率 Pull-in rate with no load ----- N/A

测试条件: 驱动电压直流36V/额定电流/半步驱动

Testing condition: Source Voltage 36V/Half step

4-8 运行力矩 Pull out torque

测试条件: 驱动电压直流36V/额定电流/半步驱动

Testing condition: Source Voltage 36V/Half step

@1000pps ----- N/A.

@2000pps ----- N/A.

@3000pps ----- N/A.

4-9 启动力矩 Pull in torque

测试条件: 驱动电压直流36V/额定电流/半步驱动

Testing condition: Source Voltage 36V/Half step

@600pps ----- N/A.

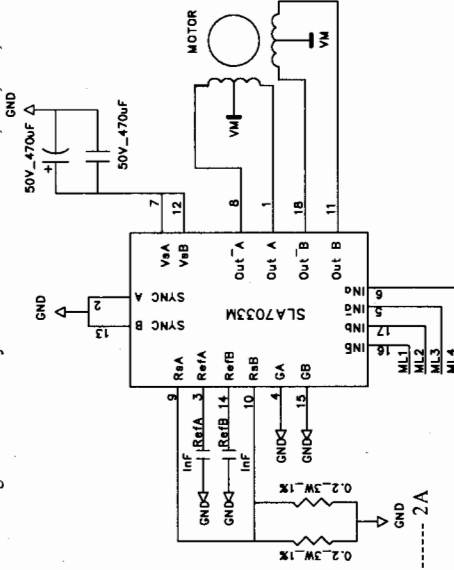
@900pps ----- N/A.

4-10 反电动势 Back ElectroMotive Force ----- N/A

测试条件: 驱动电机的转轴到一个恒定的转速: 300RPM, 测量绕组两端电压的有效值。

Testing condition: The back EMF is the RMS value measured across the coils,

carrying the motor shaft at the constant speed of 300 RPM.



Unit: mm	
第一角画法 FIRST ANGLE METHOD	
本标准符合GB/T 1804-2000 Tolerances for linear and angular dimensions without individual tolerance indications GB/T 1804-2000 eqv ISO 2768-1:2000	
本标准符合GB/T 1184-2008 Geometrical tolerances for features without individual tolerance indications GB/T 1184-2008 eqv ISO 2768-2:2006	

批准 Approve	张晓明	09.6.5
标准化 Standard	李强	1.1
工艺 Technology	张晓明	09.6.8
审核 Check	张晓明	09.6.8
设计 Design	张晓明	2009.06.05

REV.	版本记录 REVISION RECORD	DATE	2009.05.18
	UNLESS OTHERWISE SPECIFIED	DATE	2009.06.05
	NAMES	张晓明	2009.06.05
	SIGNATURE	张晓明	2009.06.05
	DATE	2009.06.05	2009.06.05
	24HS5602N	24HS5602N	24HS5602N
	SCALE 1:1	SCALE 1:1	SCALE 1:1
	SHEET 1 OF 3	SHEET 1 OF 3	SHEET 1 OF 3

4-11 绝缘电阻 Insulation resistance ----- 大于100MΩ More than 100MΩ  
 测试条件: 线圈和电机外壳之间, 直流500V.

Testing condition: Between coils and frame, 500V DC.

4-12 介电强度 Dielectric strength ----- 交流500V 50/60Hz 1分钟 / 500V AC 1 minute  
 测试条件: 在引线和外壳之间施加交流500V (有效值) 50/60Hz,  
 电机可以保持1分钟无击穿。漏电流小于3mA.

Testing condition: Motor is capable of withstanding with out break down,  
 when 500V AC (RMS value) for period of 1 minute between motor frame and lead wires.  
 Cut off current is less than 3mA.

4-13 温升 Temperature rise ----- 小于80°C less than 80°C  
 温升是指在一定环境温度条件下, 线圈温度增加的最大值。绕组温度的测试采用电阻法。  
 在恒压驱动模式下, 驱动电压为额定电压, 两相通电, 转速为0pps。  
 在恒流驱动模式下, 驱动电流为额定电流, 两相通电, 转速为空载启动频率。

散热板: 铝板160 × 160 × 1.6(mm)  
 Temperature rise is the maximum coil temperature increase respect to the ambient temperature.  
 Coil temperature is measured with resistance method.  
 Two phase on rated voltage at 0 pps speed when constant voltage driving model.  
 Two phase on rated current at pull in rate speed when constant current driving model.

Al heat sink plate: 160 × 160 × 1.6(mm)

5. 机械特性 Mechanical Characteristics

5-1 外形尺寸 Outline Dimensions ----- 见第3页 / See sheet 3.

5-2 转轴材料 Material of shaft ----- 不锈钢 Stainless steel

5-3 磁钢材料 Material of magnet ----- 稀土合金 Rare earth alloy

5-4 端盖材料 Material of end bell ----- 铸铝合金 Aluminum alloy die casting

5-5 轴承 Bearing ----- 双面防尘盖深沟球轴承 Double shield deep groove ball bearing

5-6 铭牌 Label ----- 喷印于后端盖 Ink jet printing on the rear end bell

5-7 转子惯量 Rotor Inertia ----- 约 Approximately 900g.cm<sup>2</sup>

5-8 重量 Mass ----- 约 Approximately 1400g

5-9 转轴轴向位移 End play of the shaft ----- 0.08mm@500gf

5-10 转轴径向位移 Radial play of the shaft ----- 0.02mm@500gf

6. 应用条件 Application conditions

6-1 运行环境条件 Operating environment conditions

6-1-1 环境温度 Ambient temperature ----- -20°C ~ +50°C

6-1-1 环境湿度 Ambient humidity ----- 15% ~ 85% (无积露/No condensation)

6-2 储藏环境条件 Storage environment conditions

6-2-1 环境温度 Storage temperature ----- -30°C ~ +70°C

6-2-1 环境湿度 Storage humidity ----- 15% ~ 85% (无积露/No condensation)

6-3 转轴负载条件 Shaft load condition

6-3-1 轴向动态负载 Dynamic axial load ----- 15N Max.

6-3-2 径向动态负载 Dynamic radial load ----- 75N Max.

7. 保证和可靠性 Warranty and Reliability

7-1 保证: 在产品交货一年内, 由于制造商的错误或疏忽引起的产品问题, 制造商应提供产品的维修或替换。

Warranty: If failure occurs due to manufacturing defect within one year, the manufacturer shall repair or replace the motor

7-2 可靠性 Reliability ----- MTBF 6000小时以上 MTBF 6000 hours or more.

使用条件: 环境温度25°C, 使用率100%, 额定电流, 旋转速度整步1000pps.

Application condition: Ambient temperature 25°C, Duty cycle 100%, Rated current, two phase on, Speed 1000pps, full step.

8. 注意 Caution:

8-1 请勿将电机的引线或PCB板。Please do not hold motor by PCB or lead wires.

8-2 请勿带电拔电机连接器。Please do not connect/disconnect the motor connector while power on.

8-3 请勿朝坚硬物体弹掷电机, 这种撞击导致的失效在开始阶段可能不会被发现。但在以后会被发现, 这类不当使用不在我们的质保范围内。

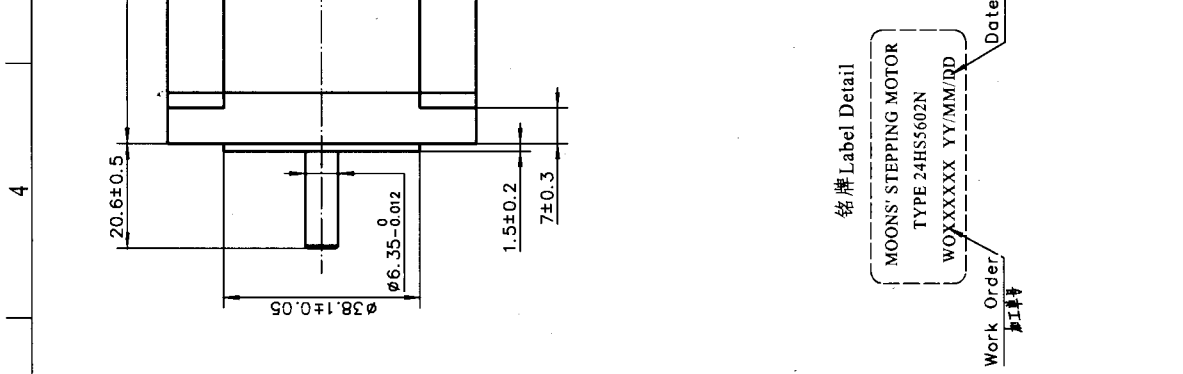
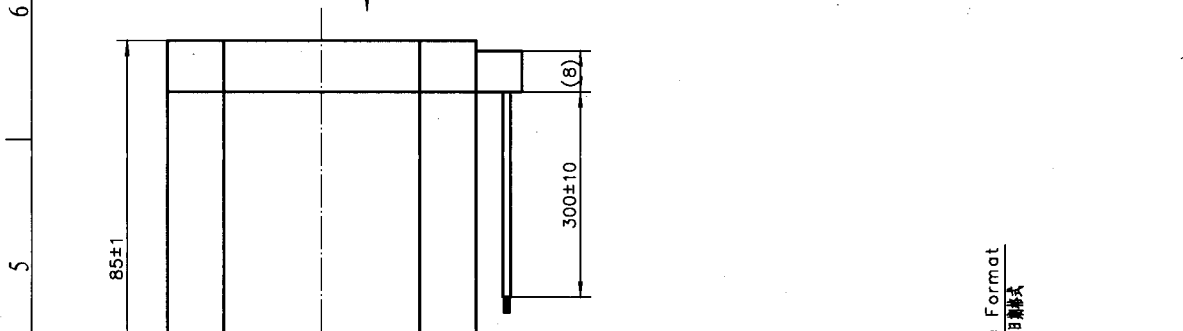
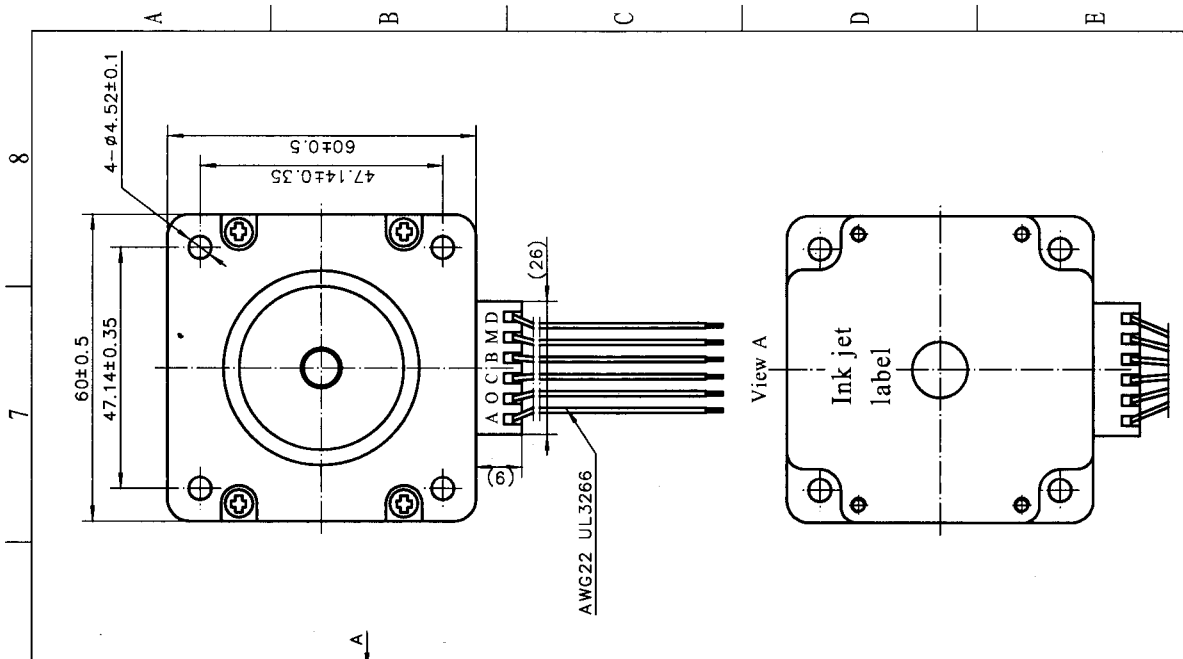
Please don't drop, hurl or dump motor against hard material. Malfunction may not be observed at early stage after such shock, But it may be found later, This type mishandling voids our warranty.

8-4 请注意应用, 因为该电机无任何关于过压、温升、反接以及外部(电磁)噪音的保护电路。

Please pay attention for handling because this motor has no protection circuits for overvoltage, temperature rise, opposing connection, foreign noise ect.

8-5 请勿重新使用拆解过的电机。Please do not use disassembled motor again.

G	Unit: mm 第一角画法 FIRST ANGLE METHOD 本标准符合GB/T 1804-2000 Tolerance for linear and angular dimensions without individual tolerance indication GB/T 1804-m eqv ISO 2768-1-m	张明杰	09.6.15	备注 Comment:
F	本标准符合GB/T 1804-2000 Tolerance for linear and angular dimensions without individual tolerance indication GB/T 1804-k eqv ISO 2768-1-k	张明杰	09.6.15	
E	本标准符合GB/T 1804-2000 Tolerance for linear and angular dimensions without individual tolerance indication GB/T 1804-k eqv ISO 2768-1-k	张明杰	09.6.15	
D	See sheet 1	张明杰	2009.06.05	
C	原始版本 Original revision	张明杰	2009.05.18	
B	版本记录 REVISION RECORD	张明杰	2009.06.05	
A	UNLESS OTHERWISE SPECIFIED	张明杰	2009.06.05	



9 接线图  
WIRING DIAGRAM

黑 BLK A  
黄 YEL O  
绿 GRN C  
B M D  
RED WHT BLU  
红 白 蓝

10 励磁顺序 vs. 旋转方向  
Exciting Sequence vs. Direction of rotation

从电机的安装端看，  
按照表格规定的励磁顺序，  
电机将产生顺时针方向旋转。  
Exciting sequence as the table specified  
will produce clockwise rotation  
when viewed from mounting end.

以两相通电为例  
Case by two phase on

STEP	A	B	C	D	0	M
1	-	-	+	+	+	+
2	-	+	-	+	+	+
3	+	-	-	+	+	+
4	+	+	-	-	+	+

铭牌 Label Detail

MOONS' STEPPING MOTOR  
TYPE 24HS5602N  
WOXXXXX YY/MM/DD

Work Order 加工单号  
Date Format 日期格式

Unit: mm  
第一角画法  
FIRST ANGLE METHOD  
本标准与欧洲尺寸公差  
Tolerances for linear and angular dimensions without individual tolerance indications  
GB/T 1804-m eqv ISO 2768-1-m  
本标准与欧洲尺寸公差  
Geometrical tolerance for features without individual tolerance indications  
GB/T 1184-K eqv ISO 2768-2:K

UNLESS OTHERWISE SPECIFIED

REV.	1	2	3	4	5	6	7	8
G								
F								
E								
D								
C								
B	See sheet 1							
A	原始版本 Original revision							
REV.	版本记录 REVISION RECORD	DATE	2009.05.18	UNLESS OTHERWISE SPECIFIED	NAMES	张敏钢	DESIGN	设计 Design
		DATE	2009.06.05	UNLESS OTHERWISE SPECIFIED	SIGNATURE	张敏钢	CHECK	审核 Check
		DATE	2009.06.05	UNLESS OTHERWISE SPECIFIED	DATE	2009.06.05	TECHNOLOGY	工艺 Technology
		DATE	2009.06.05	UNLESS OTHERWISE SPECIFIED	DATE	2009.06.05	STANDARD	标准化 Standard
		DATE	2009.06.05	UNLESS OTHERWISE SPECIFIED	DATE	2009.06.05	APPROVE	批准 Approve
		DATE	2009.06.05	UNLESS OTHERWISE SPECIFIED	DATE	2009.06.05	COMMENT	备注 Comment: