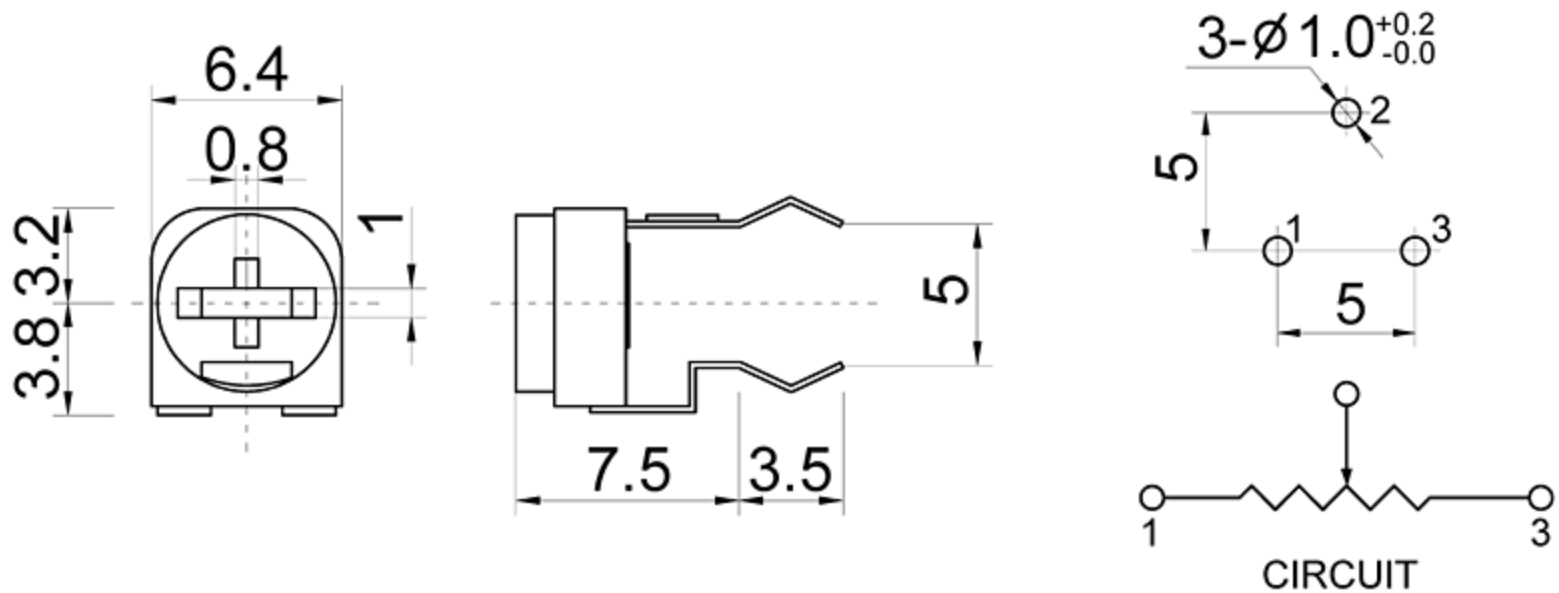


## OUTLINE DIMENSIONS



## ELECTRICAL CHARACTERISTICS

Standard Resistance Range	10 to 1M ohm(see standard resistance table)
Resistance Tolerance	$\pm 30\%$
Contact Resistance Variation	R<1K ohm: 30 ohm max. R>1K ohm: 3% max.
Resolution	Infinite
Rotational Angle	$210^{\circ} \pm 20^{\circ}$
Resistance Taper	Linear (B)

## ENVIRONMENTAL CHARACTERISTICS

	0.1W (at 50°C)
Max Operating Voltage	50V/DC (100-500K ohm) 25V/DC (>500K ohm)
Operating Temperature Range	-10°C to +70°C
Rotational Life	$20 \pm 2$ cycles

## PHYSICAL CHARACTERISTICS

Rotational Torque	20-250 g-cm
Stop Strength	>350 g-cm
Terminals	Solderable pins
Marking	Resistance code

## STANDARD RESISTANCE TABLE

Resistance (Ohms)	Resistance Code	Resistance (Ohms)	Resistance Code
100	101	20,000	203
200	201	50,000	503
500	501	100,000	104
1,000	102	200,000	204
2,000	202	500,000	504
5,000	502	1,000,000	105
10,000	103		