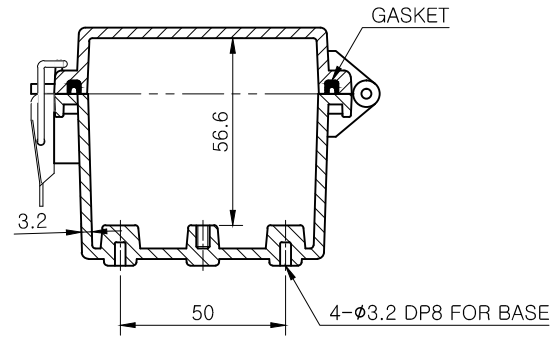
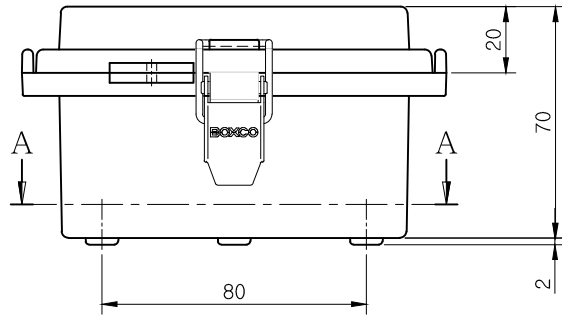


SECTION A-A



SECTION B-B

Note.

MODEL (모델)	BC-□□P-091207		D R (재도)	JUNG.Y.J.	16.03.16	UNIT (단위)	mm
ASSY (완성 규격)	90 * 120 * 70		C K (검도)	PARK.Y.J.	16.03.16	SCALE (척도)	1:1.5
DWG NO (도번)	P-091207-03	MATERIAL (재질)	A P (승인)	KIM.D.S.	16.03.18	REV. (개정)	0

BOXCO